

OKIO LINE 86

Reversible monobloc sink with 95mm radius for inset installation.

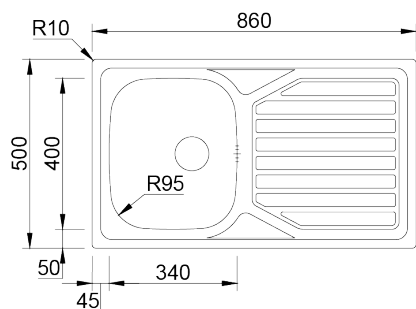


FINISHINGS:

- Polished
- Unpolished

Technical Details

What you need to know



External Measure	860x500mm
Bowls Measure	340x400mm
Depth	160mm
Package	Individual Box
Cabinet Size	450mm

Cutout Sizes



Inset Installation

