

DUETO

Monobloc sink with two rounded bowls for inset application.

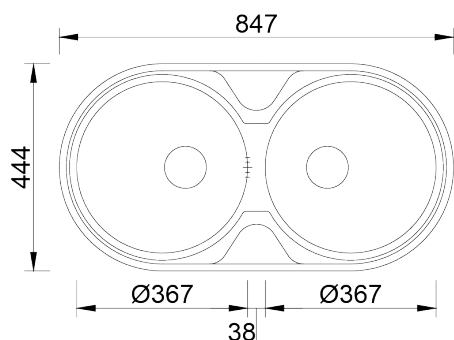


FINISHINGS:

- Polished
- Unpolished

Technical Details

What you need to know



External Measure	847x444mm
Bowls Measure	Ø367xØ367mm
Depth	145mm
Package	Individual Box
Cabinet Size	900mm

Cutout Sizes



Inset Installation

