



## HIGH PERFORMANCE AVE HAND DRYER



REF  
EAN



**AA19000**  
8427950352164  
White finish



**AA19300**  
8427950363689  
Silver finish



REF  
EAN

**AA19600**  
8427950353987  
Black finish



**AA19600\_MT**  
8427950369063  
Matt black finish

### General description

- Totally automatic: it uses an infrared sensor to activate instant drying and stops when it detects no hands.
- Approx. drying time: 10 sec.
- Class II: No earth wire required.
- Line air outlet integrated in the bottom.
- HEPA filter.

### Technical specifications

VOLTAGE:	EC: 230 V AC
FREQUENCY:	50/60 Hz
MOTOR POWER:	750 W
RESISTOR POWER:	650 W
TOTAL POWER:	1400 W
MOTOR RPM:	23000
AIR SPEED:	505 km/h
ACOUSTIC PRESSURE:	63.8 dB
AIR TEMPERATURE:	40 °C (at 10 cm distance)
PROTECTION GRADE:	IP23
ELECTRIC ISOLATION:	CLASS II

### Certifications



## Colour/Finish

### AA19000

- Cover in white
- Blue nozzle.

### AA19300

- Silver cover.
- Black base and nozzle.

### AA19600/AA19600\_MT

- Black and matt black cover
- Chromed nozzle.

## Parts and materials

### AA19000/AA19300

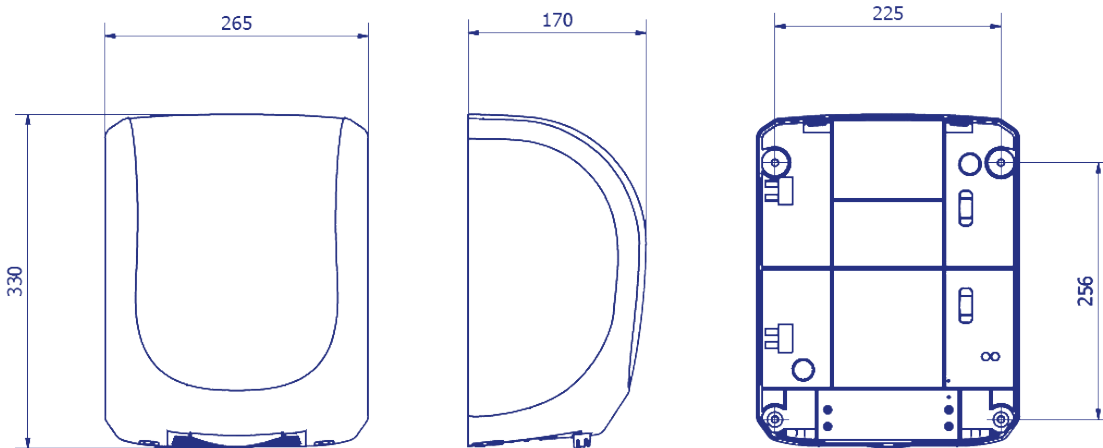
### AA19600/19600\_MT

- ABS plastic cover.
- ABS + PC interior.

## Product diagram (mm)

All references:

Net weight: 3.324 k



## Dimensions with packaging

AA19000/AA19300/AA19600/AA19600_MT			
Height	Width	Depth	Weight
400 mm	305 mm	240 mm	3.968 k

## Package

- Package with one item for all the references.

 Drying time: 10 seconds.

---

Approved by: Quality Department

Date: 11/01/2022

---