

# Sanitana

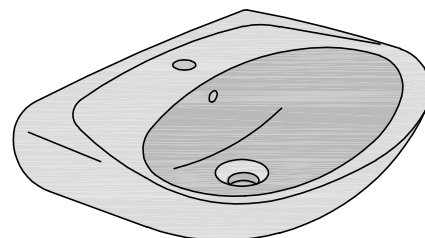
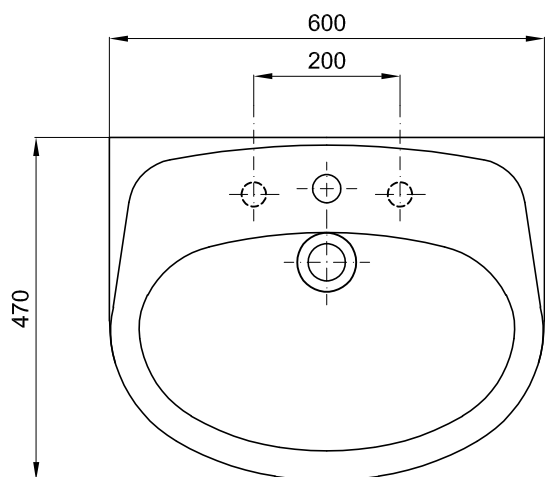
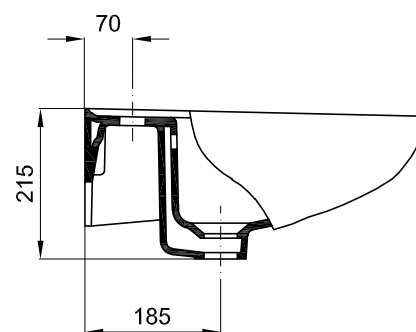
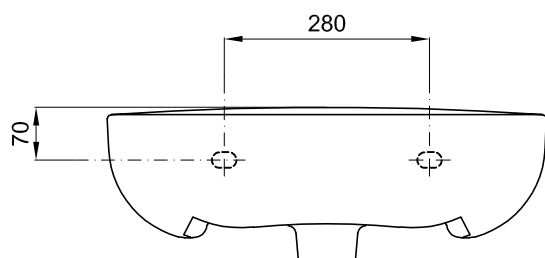
## CARACTERÍSTICAS DO MODELO:

- MATERIAL: VITREOUS CHINA
- LAVATÓRIO MURAL COM UM FURO ABERTO PARA TORNEIRA MONOBLOCO E DOIS FUROS SIMULADOS PARA TORNEIRAS INDEPENDENTES
- PROVIDO DE FURO LADRÃO
- S/EN 31; UNE - EN 31; NF - EN 31; NF D 11 - 101; EN 14688
- GARANTIA DE 2 ANOS
- PESO: 15.5KG

## PEÇA:

- DESCRIÇÃO: LAVATÓRIO MURAL
- SERIE: MUNIQUE
- VERSÃO: 60x47 - TRÊS FUROS PARA TORNEIRA
- REF: S100124172...00

## CROQUIS COM DIMENSÕES GERAIS E DE LIGAÇÃO:



## COMPONENTES INCLUÍDOS:

- KIT DE FIXAÇÃO LAVATÓRIO Ref: TNR100000001002

## PRODUTOS ASSOCIADOS:

- SEMI-COLUNA Ref: S100121178...00 (OPCIONAL)
- COLUNA DE PÉ Ref: S100728000...00 (OPCIONAL)

# Sanitana

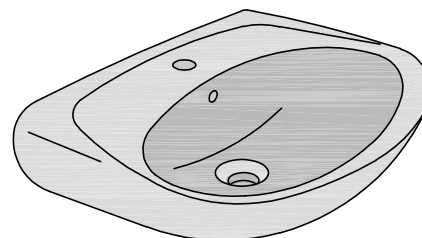
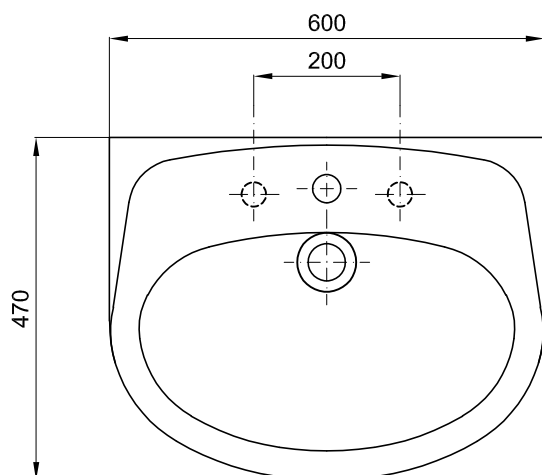
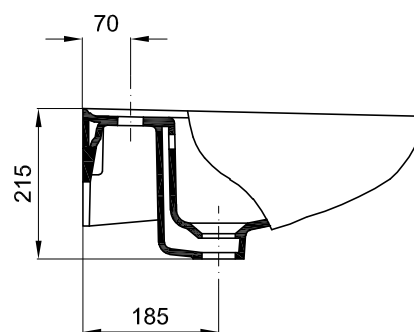
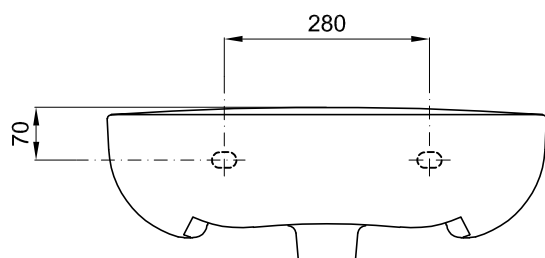
## FEATURES OF THE MODEL:

- MATERIAL: VITREOUS CHINA
- WALL BASIN WITH ONE OPEN HOLE FOR TAP MONOBLOC AND TWO SIMULATED HOLES FOR INDEPENDENT TAPS
- PROVIDED WITH HOLE THIEF
- EN 31; UNE-EN 31; NF-EN 31; NF D 11 - 101; EN 14688
- TWO YEARS WARRANTY
- WEIGHT: 15.5KG

## PART:

- DESCRIPTION: WASHBASIN WALL HUNG
- SERIES: MUNIQUE
- VERSION: 60x47 - THREE HOLES FOR TAP
- REF: S100124172...00

## SKETCH WITH DIMENSIONS AND CONNECTIONS:



## INCLUDED COMPONENTS:

- FIXING KIT WASHBASIN Ref: TNR100000001002

## RELATED PRODUCTS:

- SEMI-COLUMN Ref: S100121178...00 (OPCIONAL)
- STAND COLUMN Ref: S100728000...00 (OPCIONAL)

FORM Nº: SDRW-000042008-b

The products presented follow technical specifications Sanitana SA. The dimensions are approximate. For installation as only to be considered the dimensions of the part to be removed applied. We reserve the right to make technical changes to improve the functionality of our products without notice.